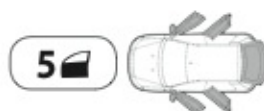
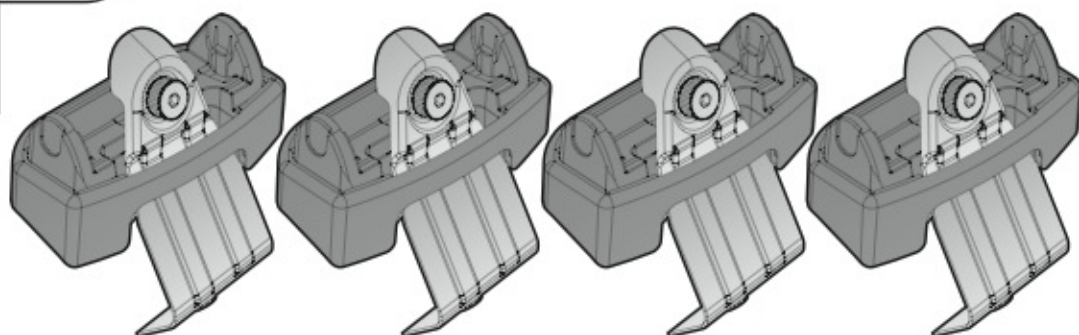


**FORD
FOCUS**



 3/11 →

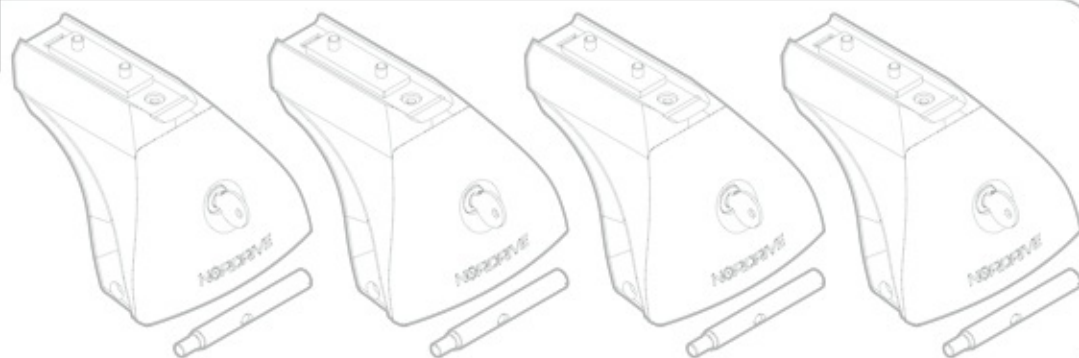
Art.
N21117



C

+

Art. **N20001**



B

+

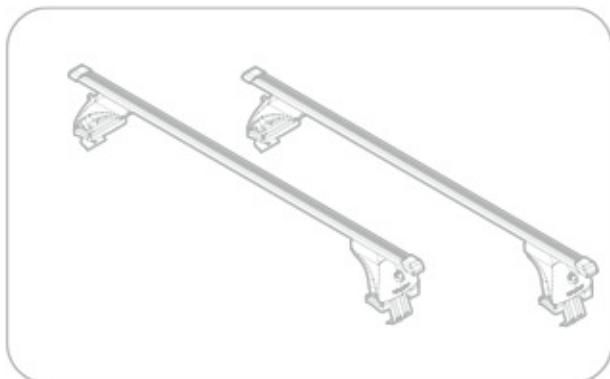
Art. **N15021**



A

ACCIAIO
Steel

=



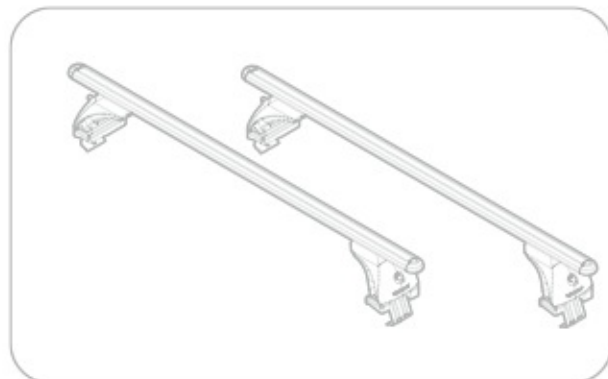
Art. **N15026**



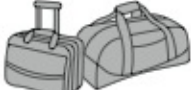


A

ALLUMINIO
Aluminium

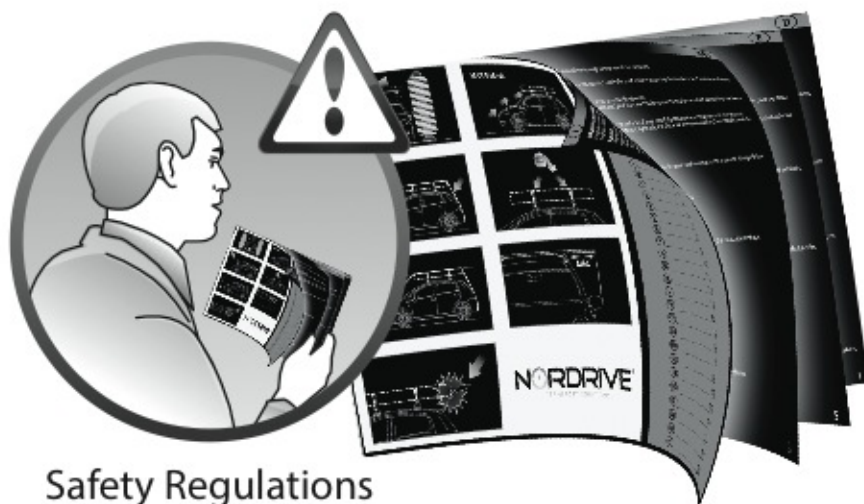
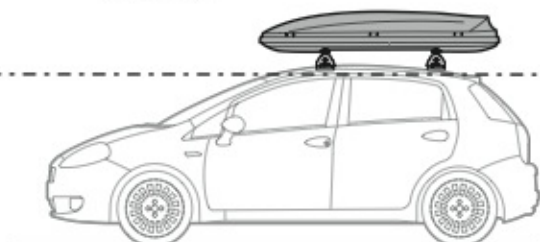
=



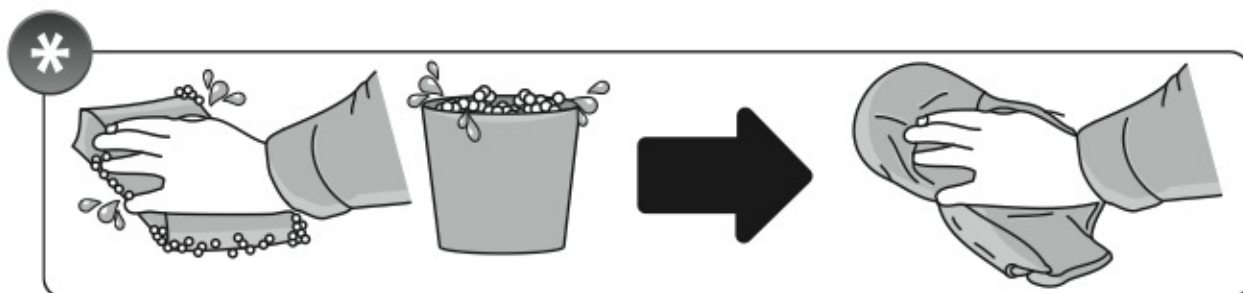
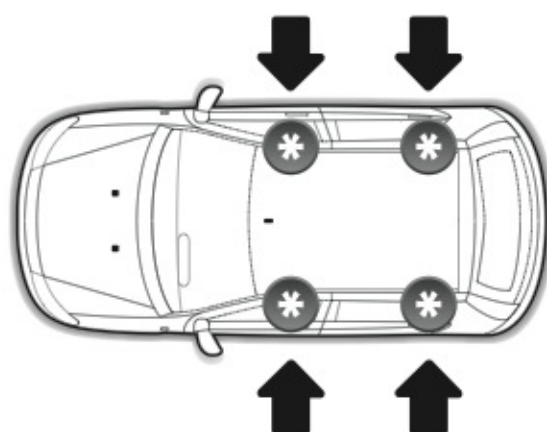
 +  +  = max: **75kg**
5,5kg



max: **???**kg



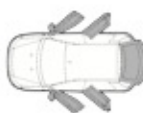
Safety Regulations





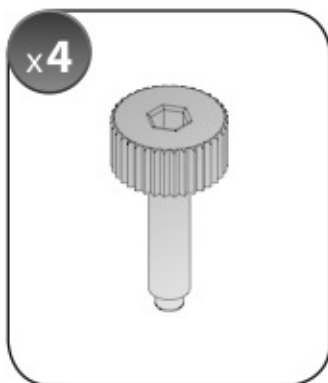
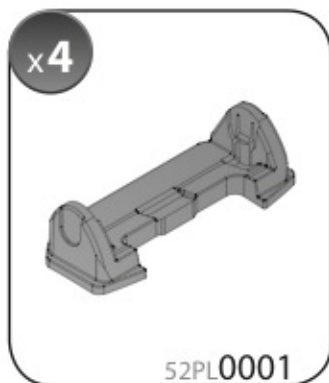
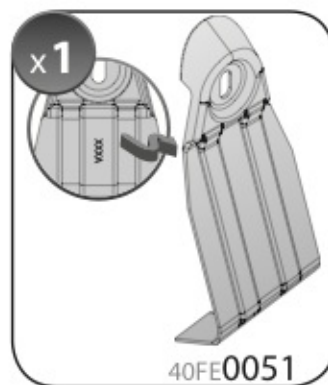
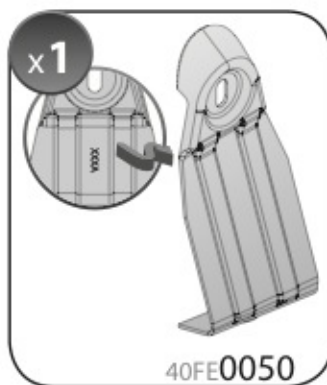
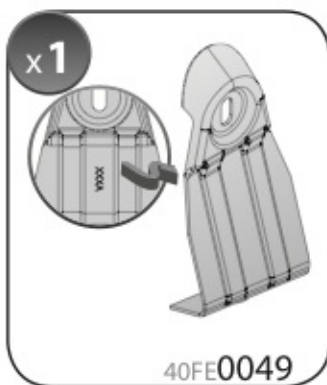
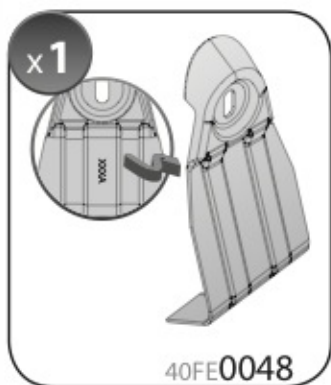
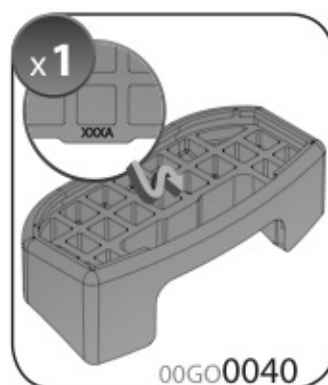
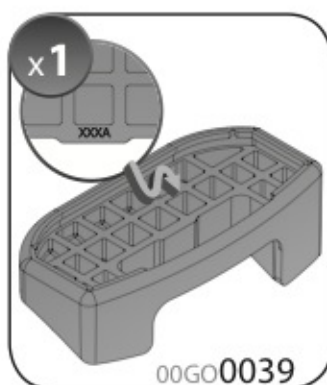
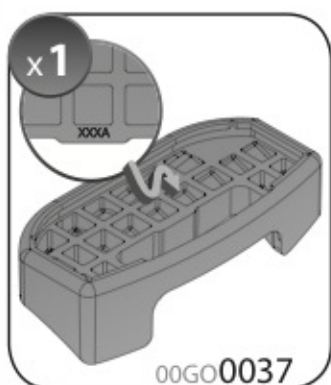
FORD
FOCUS

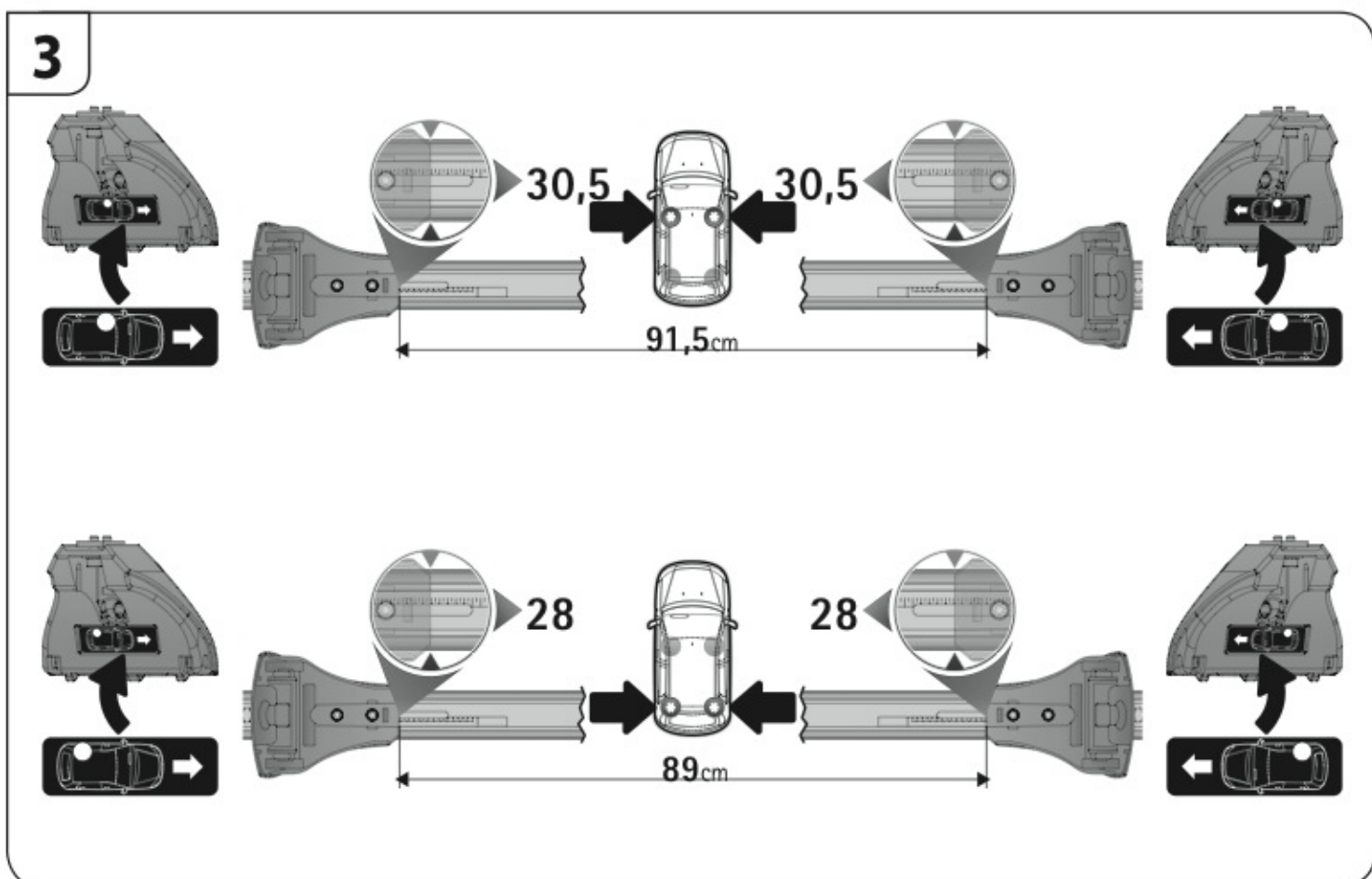
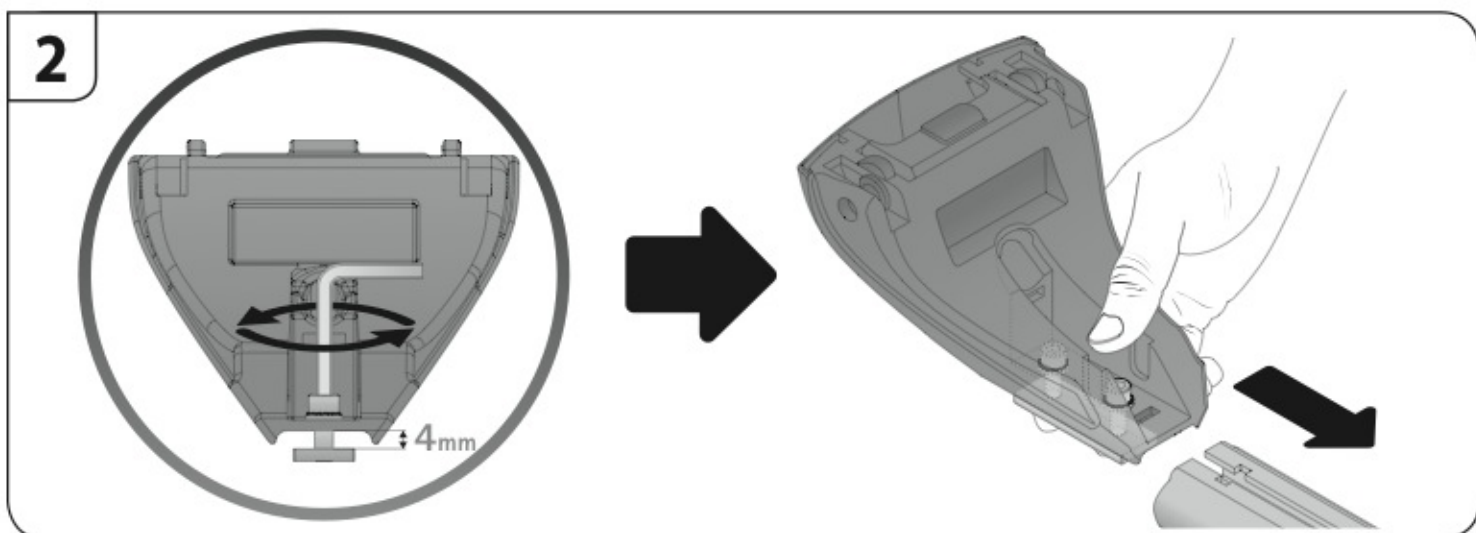
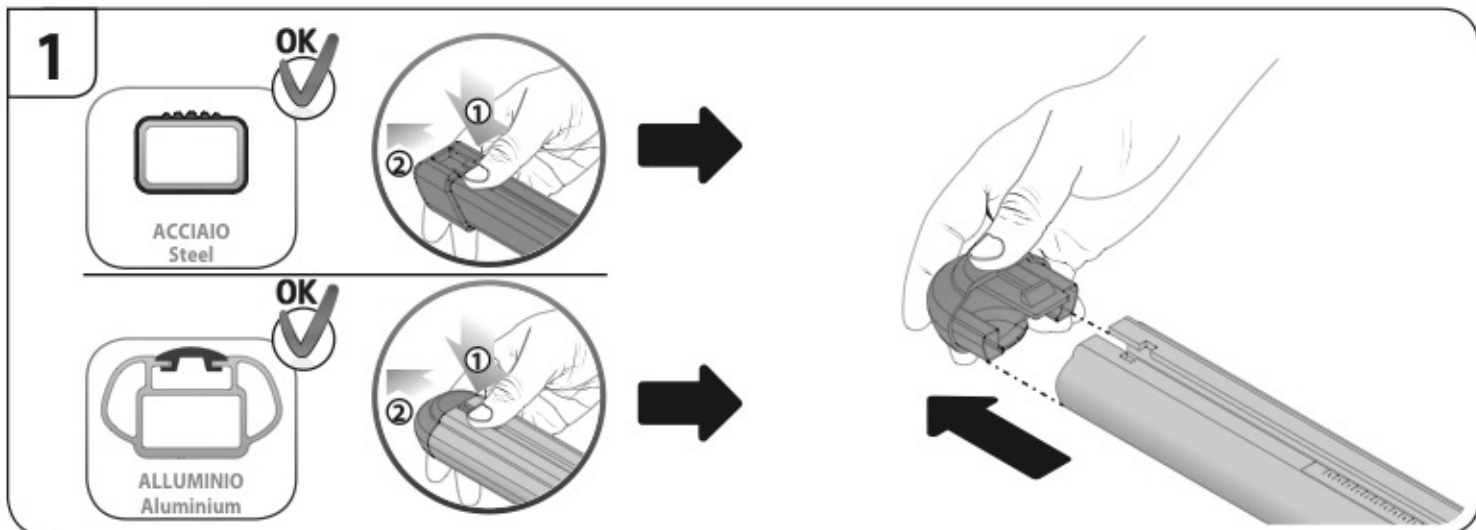
5



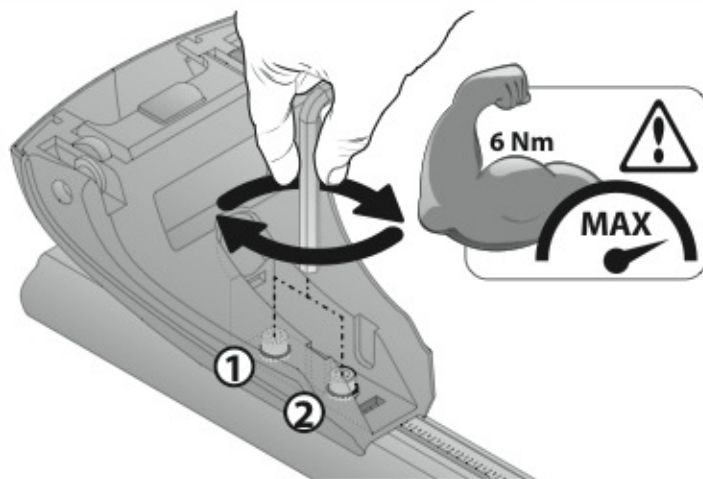
3/11

Art. **N21117**

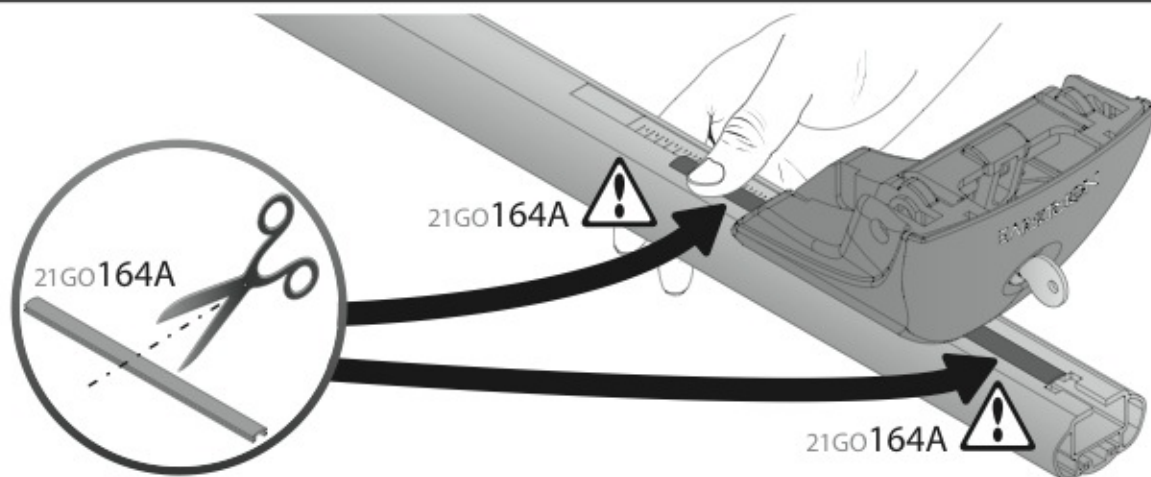




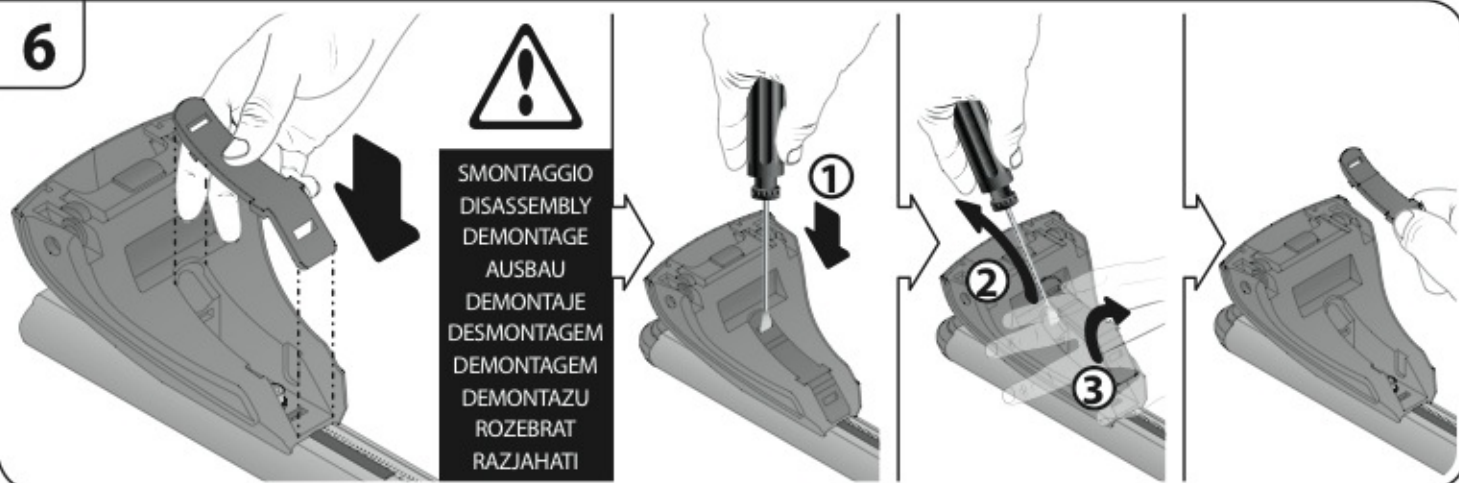
4



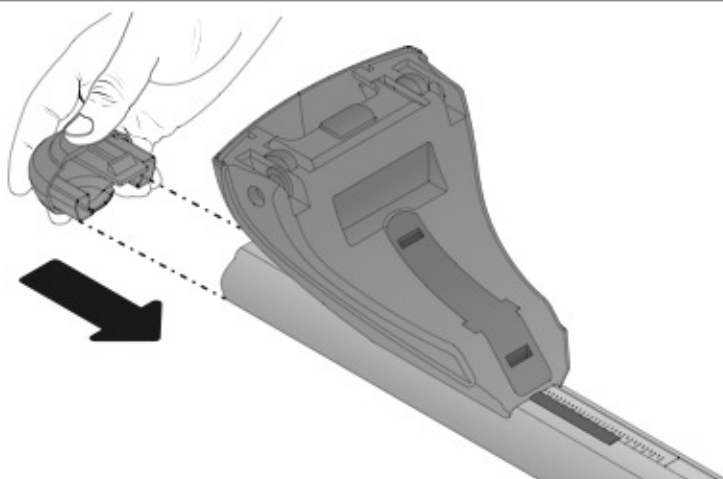
5

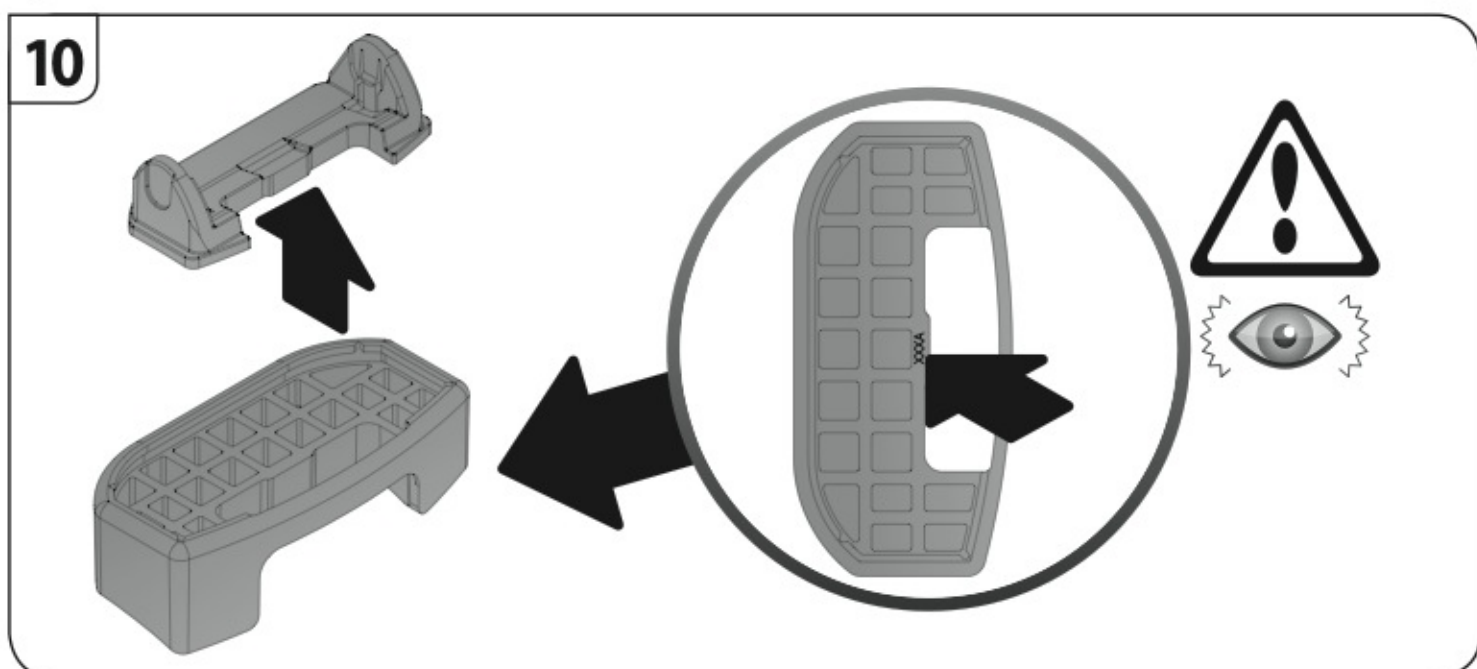
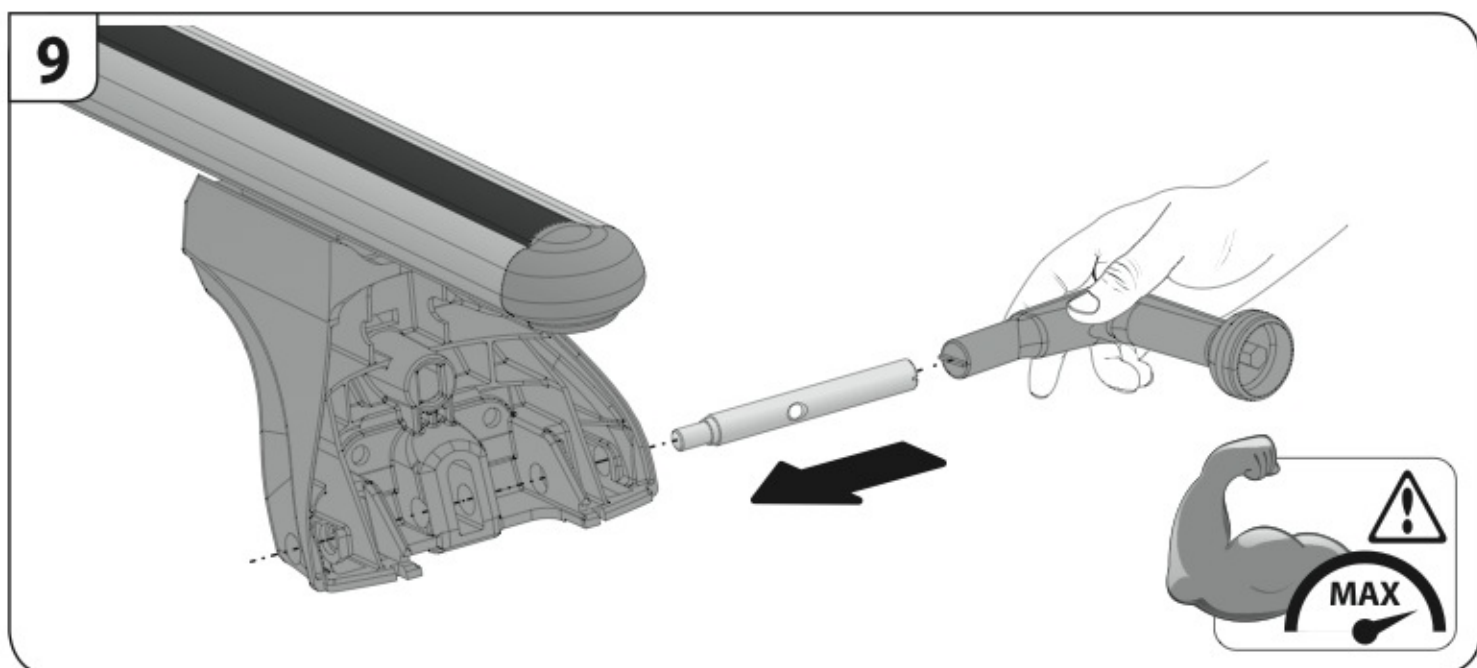
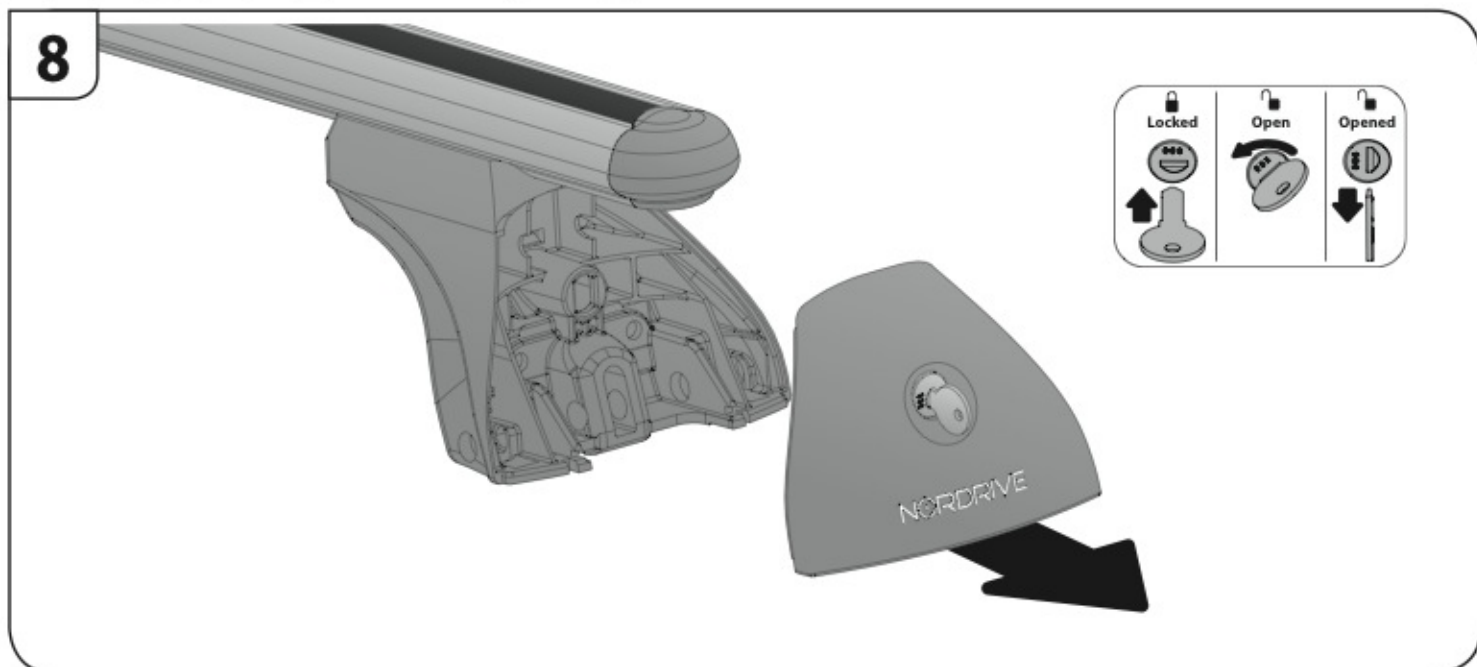


6

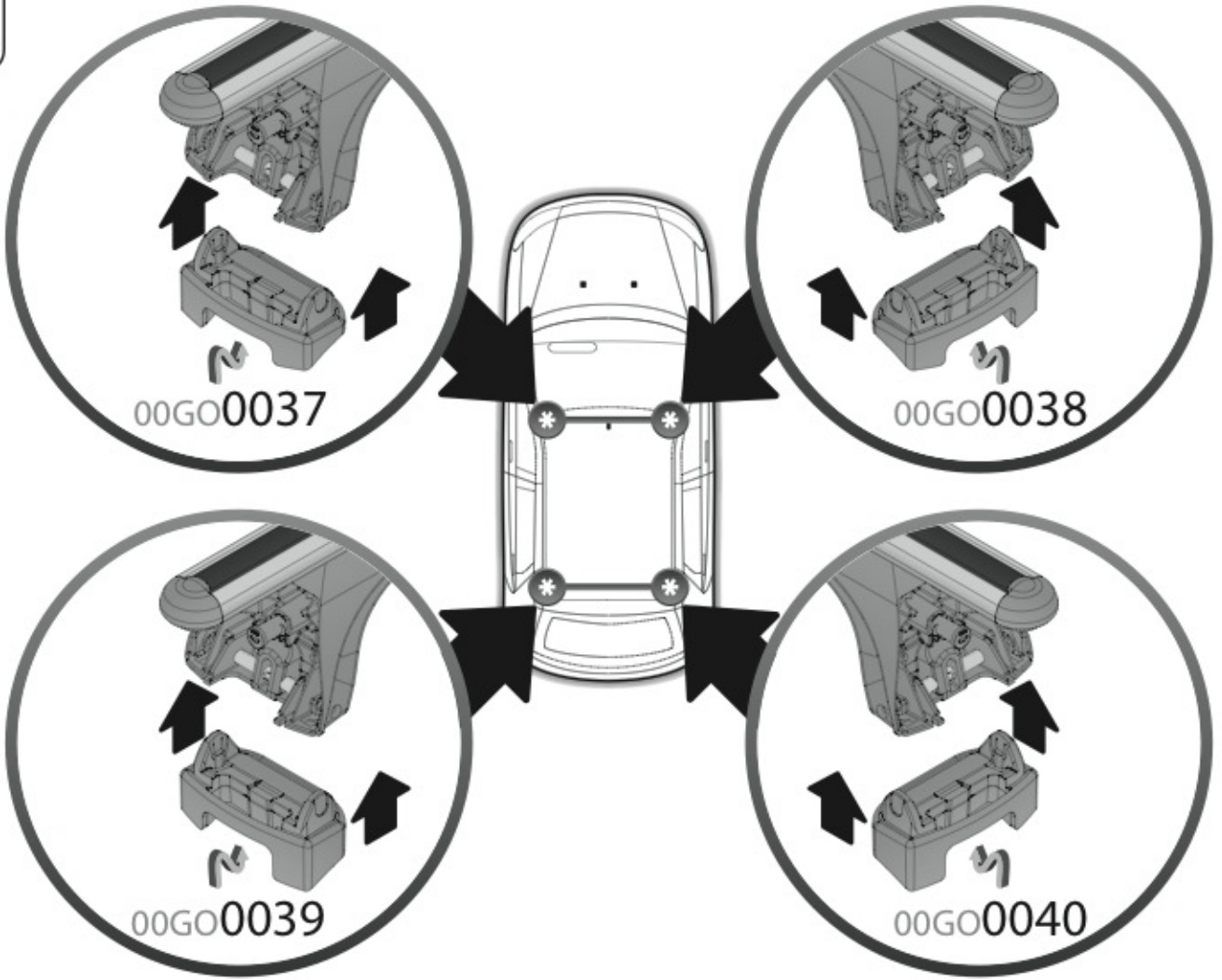


7

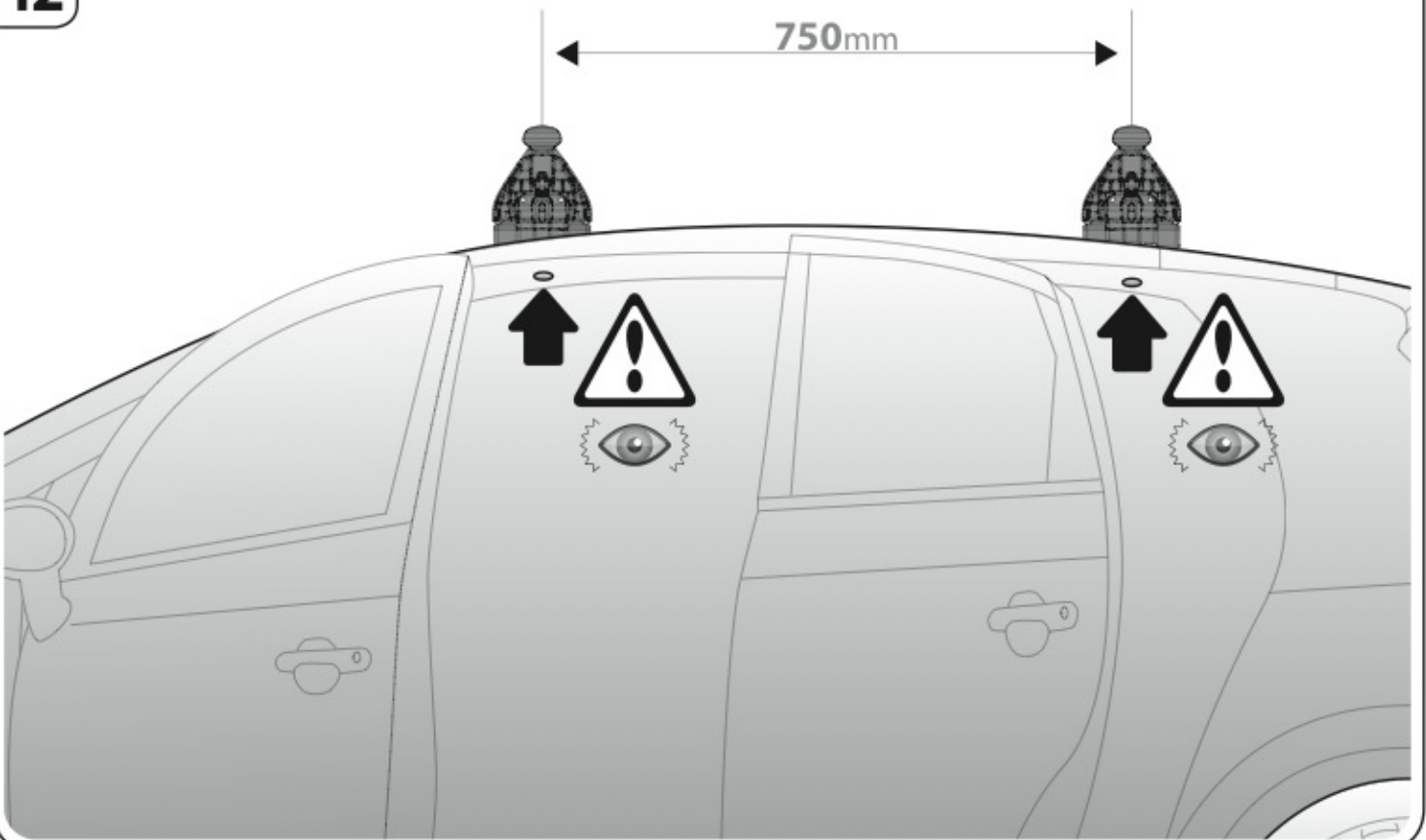




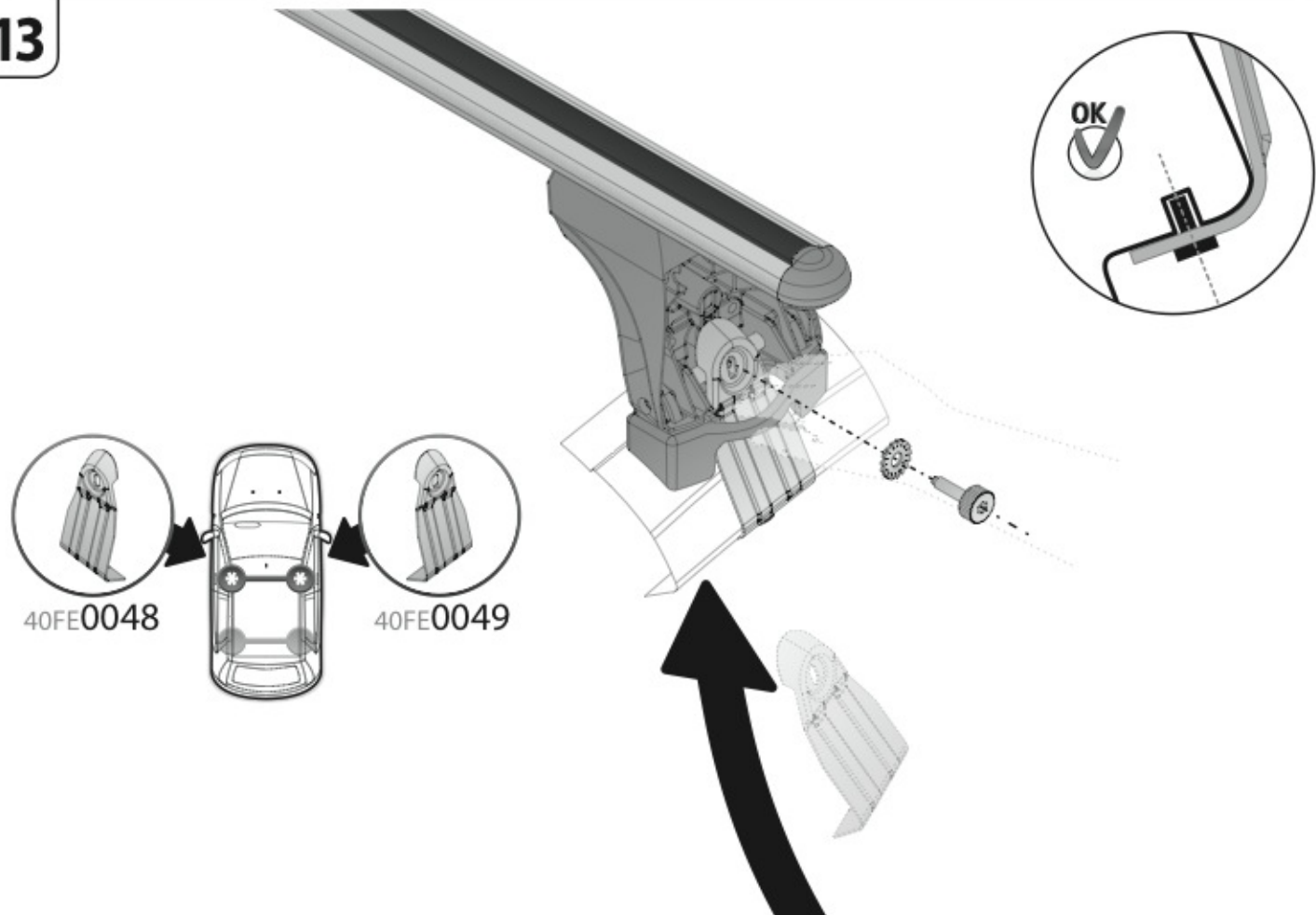
11



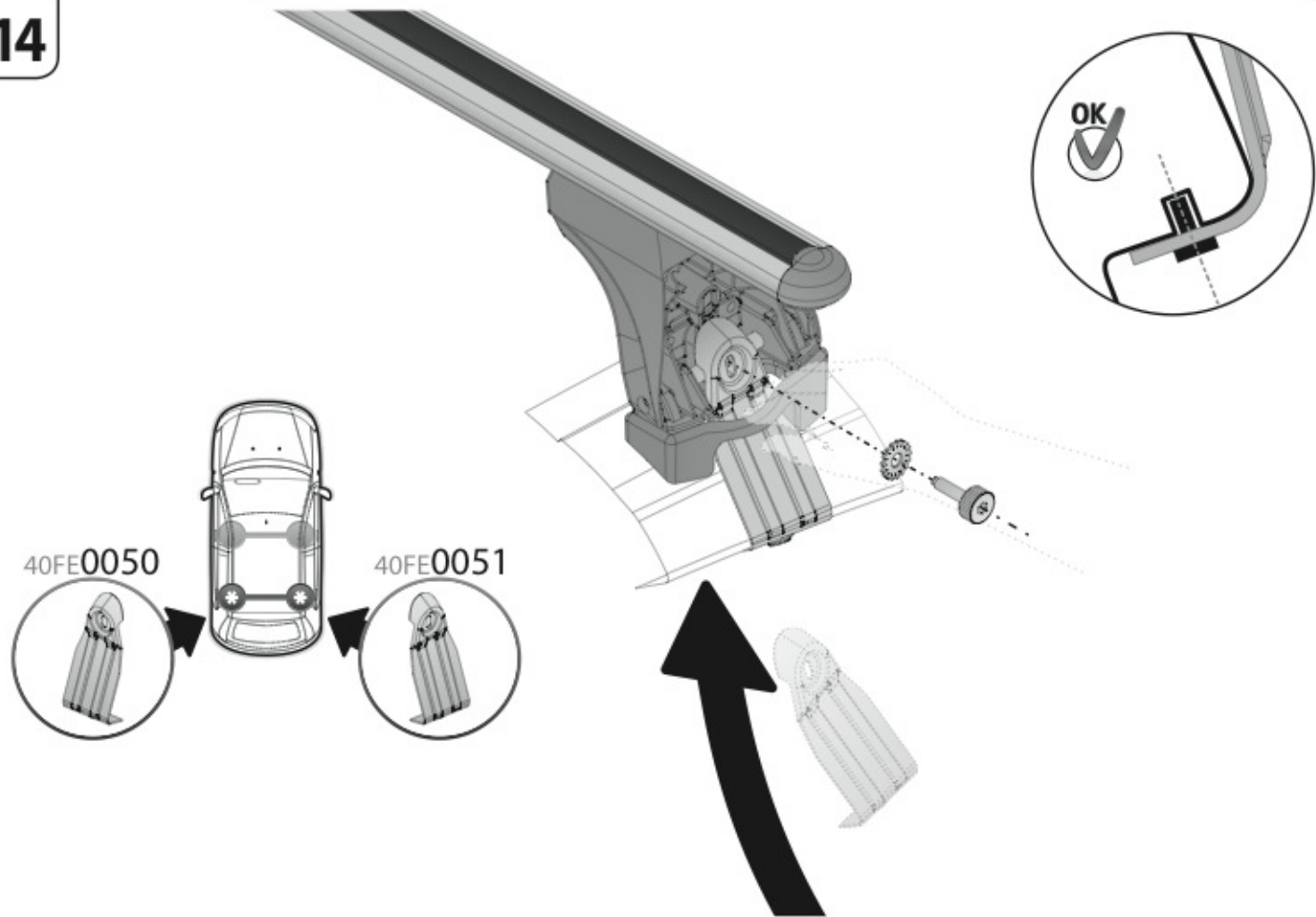
12



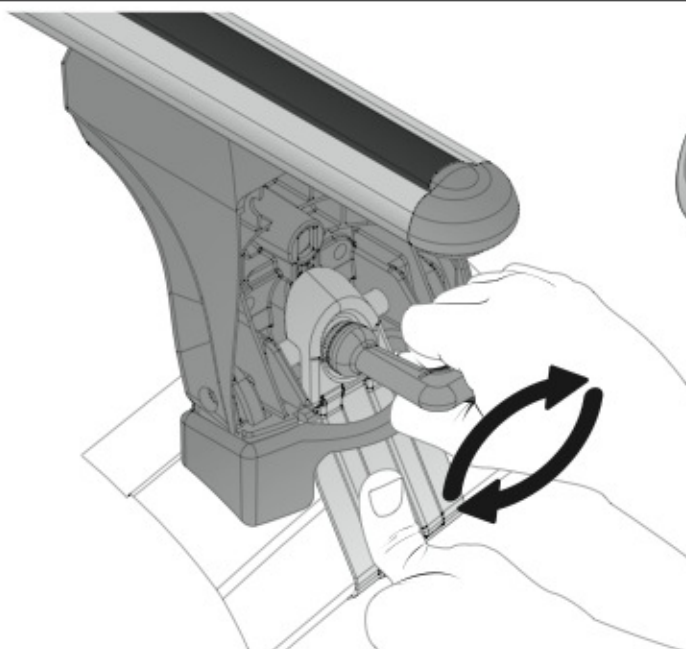
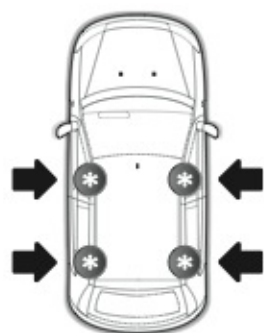
13



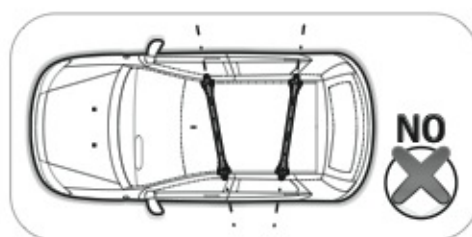
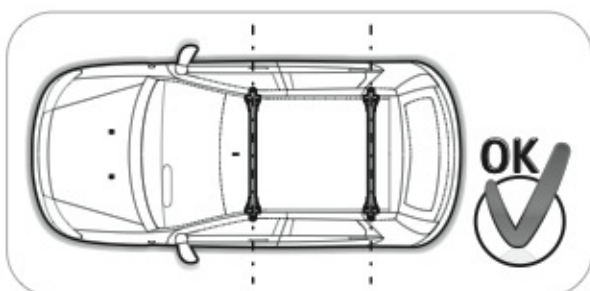
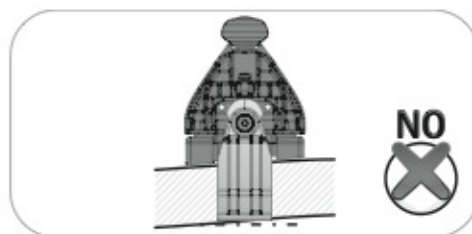
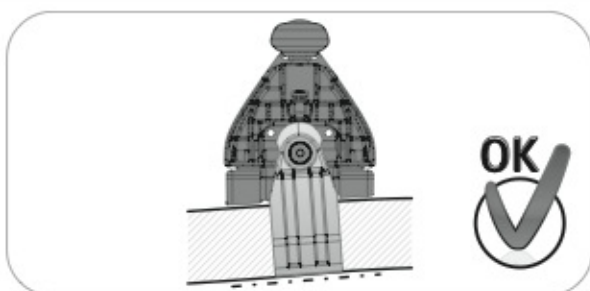
14



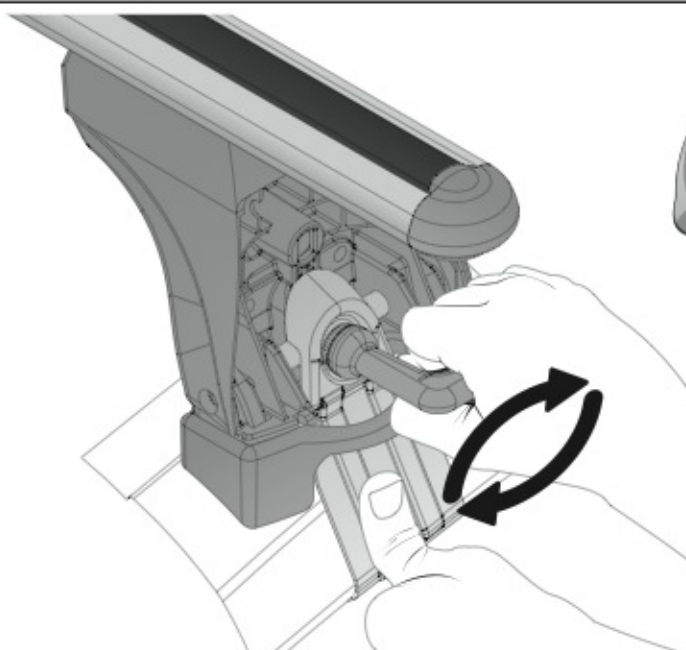
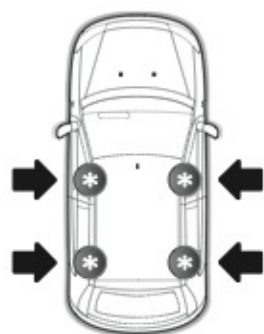
15



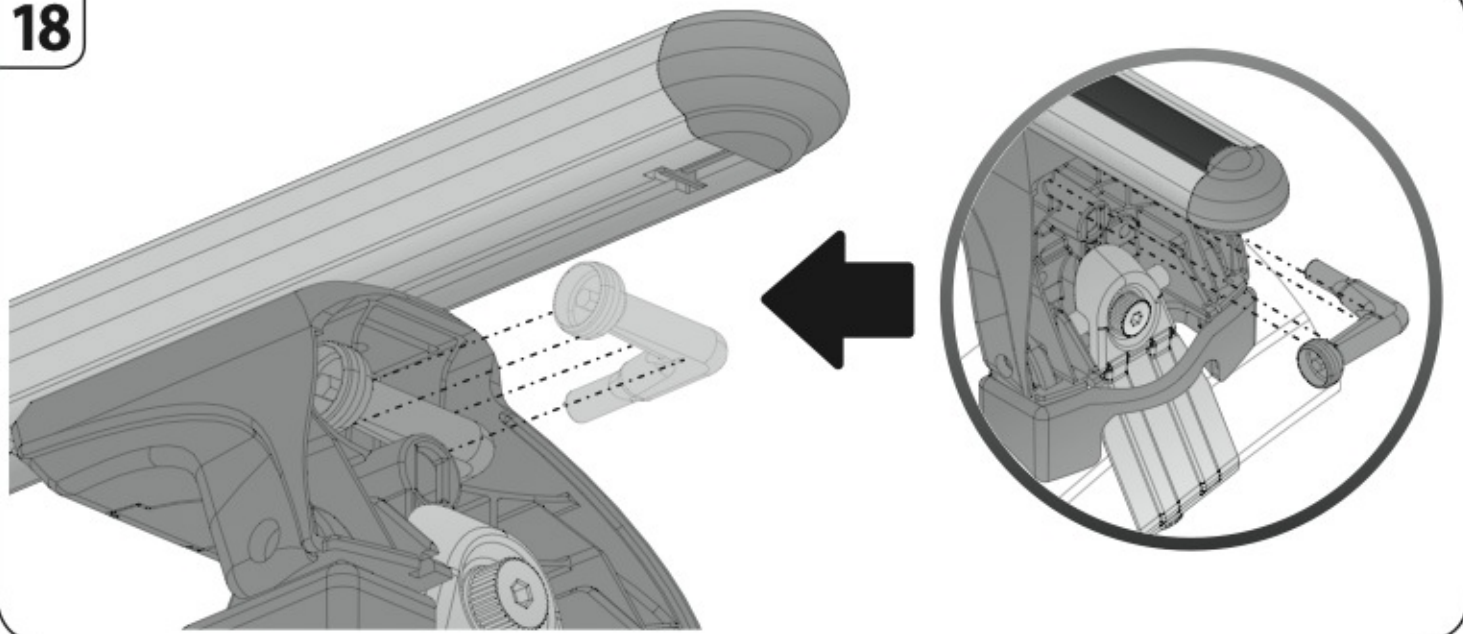
16



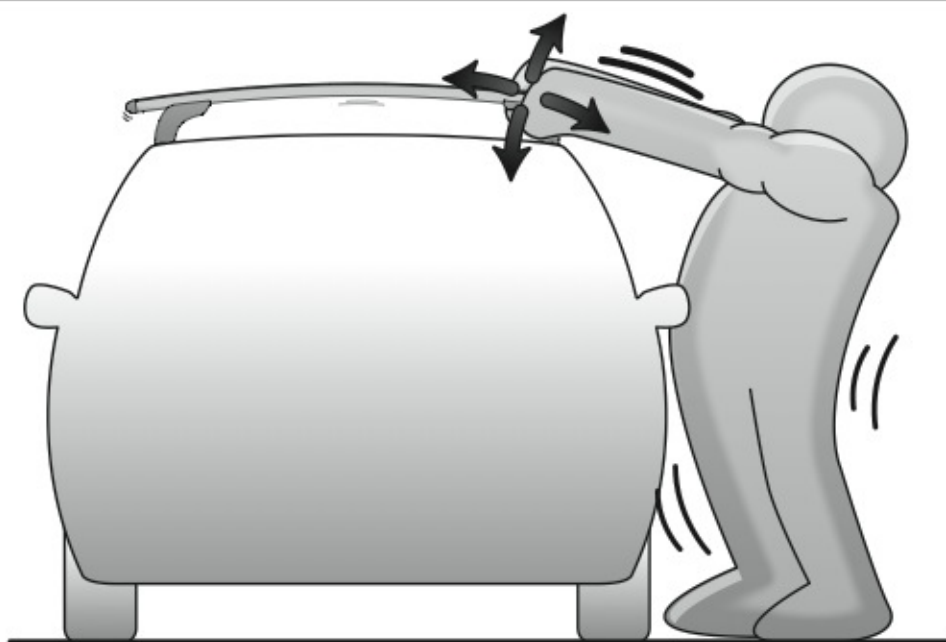
17



18



19



20

